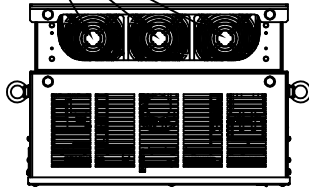
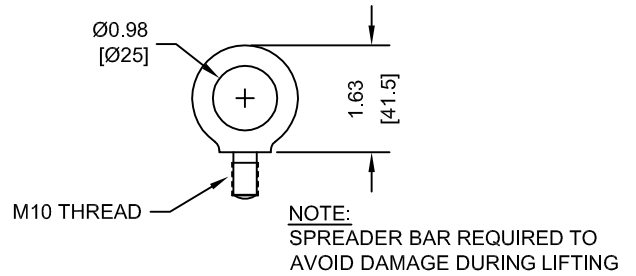


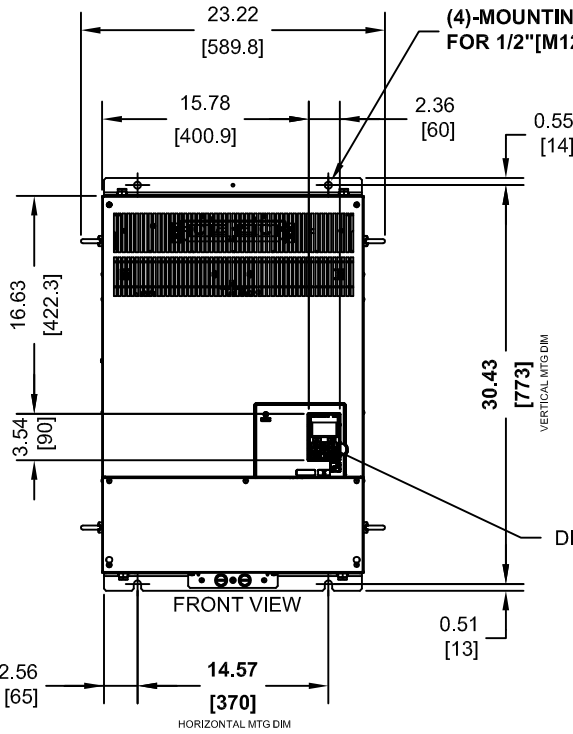
(3) EXTERNAL COOLING FANS



LIFTING AND EYEBOLT DETAILS

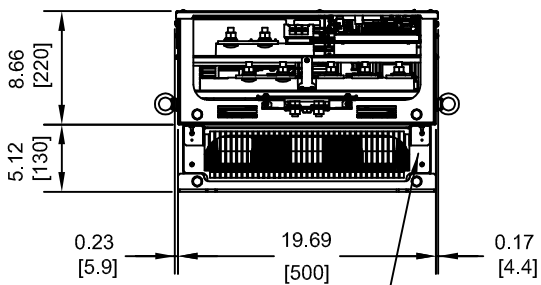
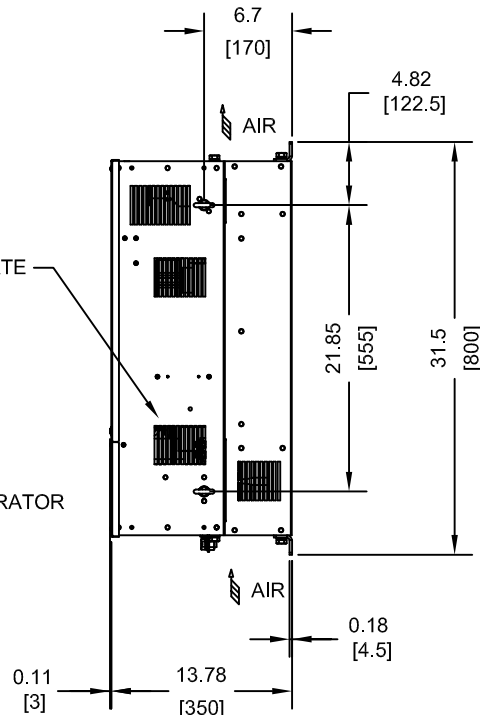


(4)-MOUNTING HOLES FOR 1/2" [M12] SCREWS



DIGITAL OPERATOR

NAMEPLATE



OPTIONAL CAPACITOR COVER  
WHEN USING AN EXTERNAL MOUNT HEATSINK, UL COMPLIANCE REQUIRES COVERING EXPOSED CAPACITORS IN THE MAIN CIRCUIT TO PREVENT INJURY. CONSULT MANUAL FOR DETAILS.

MODEL # CIMR-DU	VOLTAGE THREE-PHASE (VAC)	OUTPUT CAPACITY (kW)	WEIGHT LBS (Kg)	HEAT LOSS (W) (Fc=4kHz)		
				INT	EXT	TOT
2A0130AXX	200/240	130	187 (85)	776	1918	2694
4A0130AXX	380/480	130	187 (85)	695	1969	2664
4A0185AXX		185	187 (85)	997	2864	3861

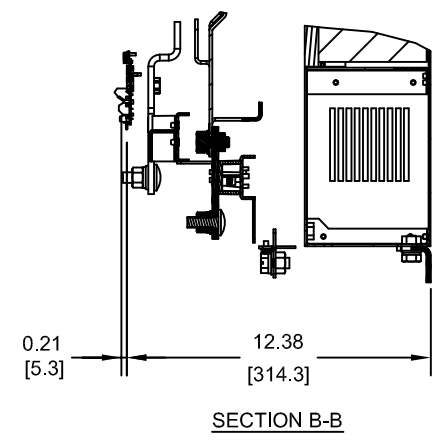
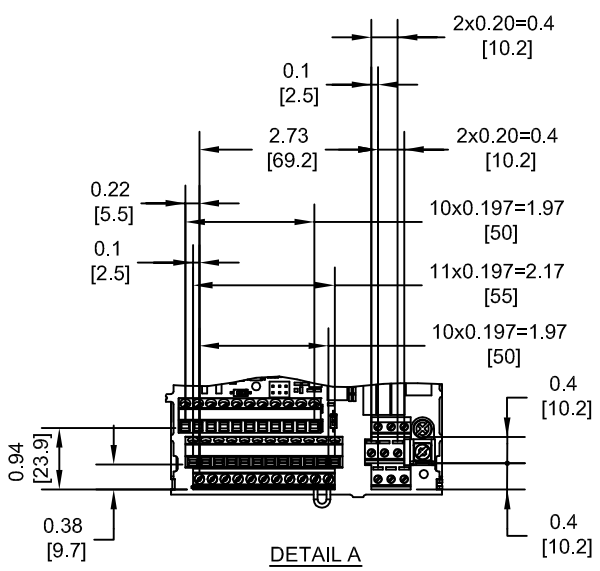
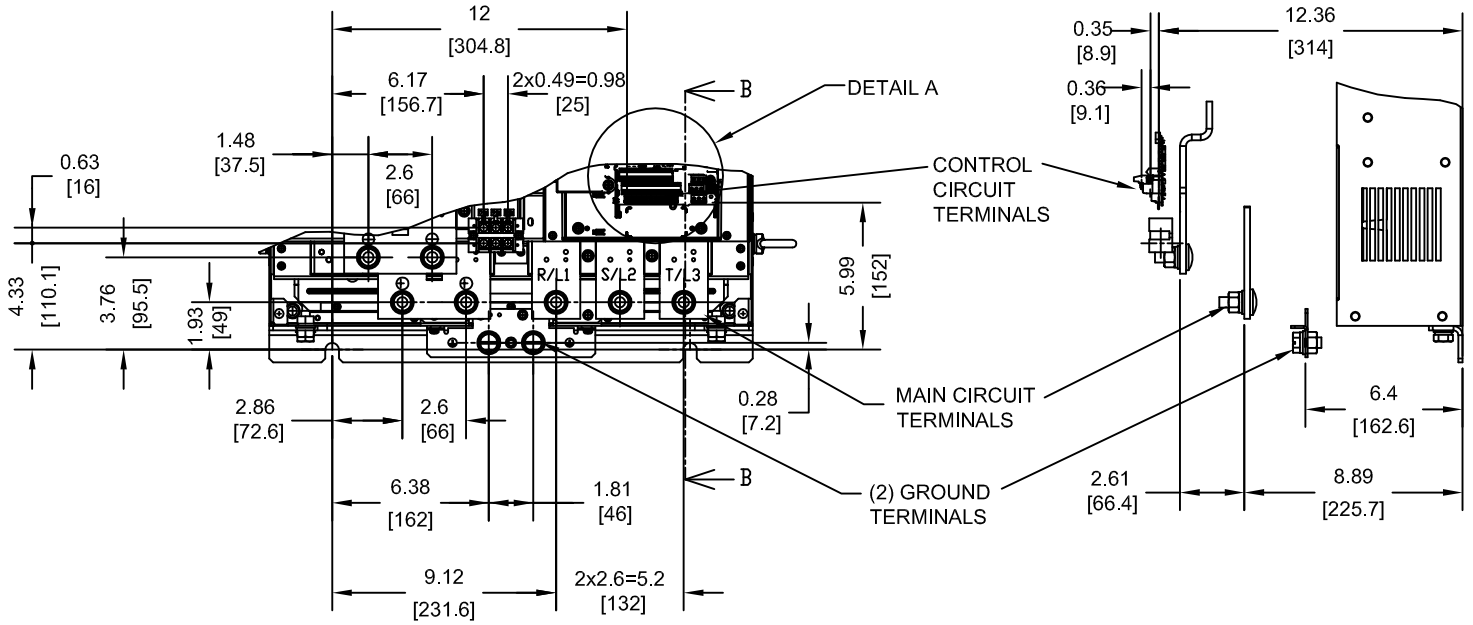
NOTE:  
XX DENOTES AA-ZZ

INT=INTERNAL COMPONENTS  
EXT=EXTERNAL HEATSINK  
TOT=TOTAL

FOR ADDITIONAL DETAILS AND SPECIFICATIONS, CONSULT MANUAL

TOLERANCES / REFERENCES:			DRAWN: J. MATTAS DATE: 7-17-14	TITLE: D1000 DIMENSION DRAWING FRAME SIZE 6 IP00 ENCLOSURE 2A0130A, 4A0130A & 4A185A	
UNITS: IN [mm]			CHECKED: J. PIOTROWSKI DATE: 7-22-14	SIZE: A	REVISION: R00
SCALE: 1:15		THIS DOCUMENT AND INFORMATION CONTAINED IN IT ARE CONFIDENTIAL, AND CANNOT BE COPIED OR DISCLOSED IN WHOLE OR IN PART WITHOUT THE EXPRESS WRITTEN CONSENT OF YASKAWA AMERICA, INC.	TECH: J. BORJA DATE: 7-24-14	DATE: 9-19-14	DRAWING #: DD.D1K.FR6.IP00
		APPROVED: J. CAIRO DATE: 9-19-14	ORIGINAL DESIGN: -	DATE: -	

TERMINAL AND WIRING DETAILS (SCALE 1:8)



TERMINAL AND WIRE SPECIFICATIONS FOR MAIN CIRCUIT AND GROUND

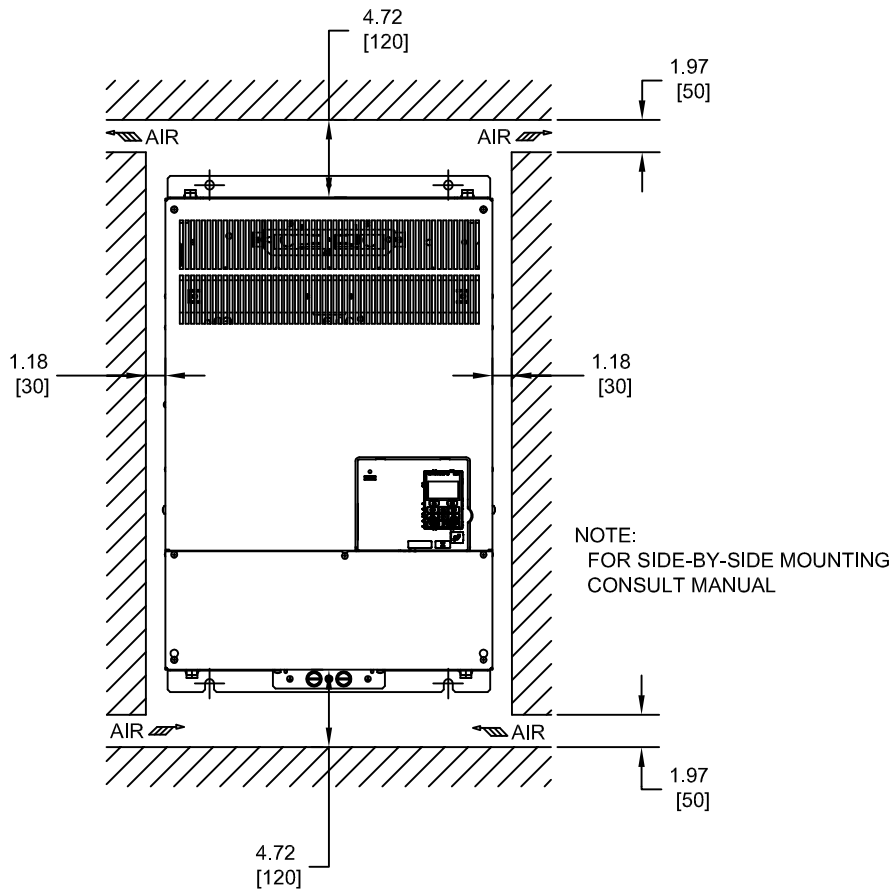
MODEL # CIMR-DU	TERMINAL SYMBOL	TERMINAL SCREW	CLAMPING TORQUE lb.in.(N.m)
2A0130A 4A0185A	R/L1, S/L2, T/L3, ⊖, ⊕	M12	283 TO 354 (32 TO 40)
	r1/211, s1/221, t1/231	M4	9.7 TO 10.6 (1.1 TO 1.2)
	⊕	M12	283 TO 354 (32 TO 40)
4A0130A	R/L1, S/L2, T/L3, ⊖, ⊕	M10	159 TO 204 18 TO 23)
	r1/211, s1/221, t1/231	M4	9.7 TO 10.6 (1.1 TO 1.2)
	⊕	M10	159 TO 204 18 TO 23)

NOTE: REFER TO APPLICABLE CODES FOR PROPER WIRE TYPE AND SIZE

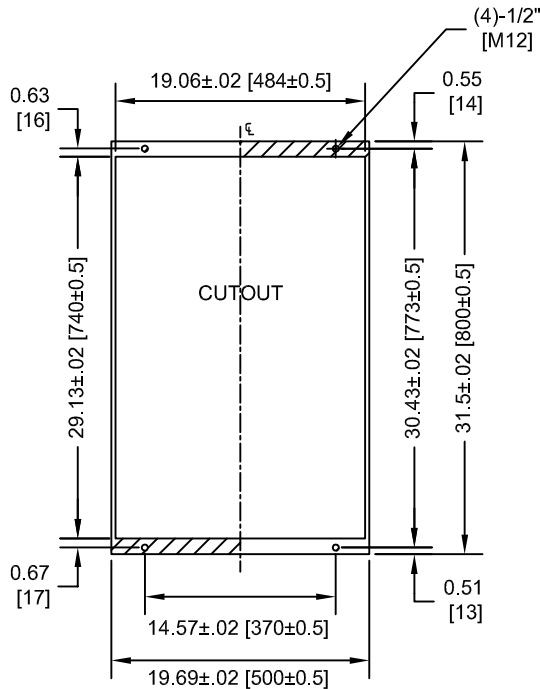
FOR ADDITIONAL DETAILS AND SPECIFICATIONS, CONSULT MANUAL

TOLERANCES / REFERENCES:			DRAWN: J. MATTAS DATE: 7-17-14	TITLE: D1000 DIMENSION DRAWING FRAME SIZE 6 IP00 ENCLOSURE 2A0130A, 4A0130A & 4A185A
UNITS: IN [mm] SCALE: BY VIEW			CHECKED: J. PIOTROWSKI DATE: 7-22-14	REVISION: R00 PAGE: 2 of 3
THIS DOCUMENT AND INFORMATION CONTAINED IN IT ARE CONFIDENTIAL, AND CANNOT BE COPIED OR DISCLOSED IN WHOLE OR IN PART WITHOUT THE EXPRESS WRITTEN CONSENT OF YASKAWA AMERICA, INC.		TECH: J. BORJA DATE: 7-24-14	DATE: 9-19-14	DRAWING #: DD.D1K.FR6.IP00

MINIMUM INSTALLATION CLEARANCES (SCALE 1:12)



PANEL CUTOUT FOR EXTERNAL HEATSINK MOUNTING CONFIGURATION (SCALE 1:15)



NOTE:  
EXPOSED HEATSINK DEPTH  
D=5.12" MINUS PANEL THICKNESS

FOR ADDITIONAL DETAILS AND SPECIFICATIONS, CONSULT MANUAL

TOLERANCES / REFERENCES:			DRAWN: J. MATTAS 7-17-14	DATE: 7-17-14	TITLE: D1000 DIMENSION DRAWING FRAME SIZE 6 IP00 ENCLOSURE 2A0130A, 4A0130A & 4A185A
			CHECKED: J. PIOTROWSKI 7-22-14	DATE: 7-22-14	
		THIS DOCUMENT AND INFORMATION CONTAINED IN IT ARE CONFIDENTIAL, AND CANNOT BE COPIED OR DISCLOSED IN WHOLE OR IN PART WITHOUT THE EXPRESS WRITTEN CONSENT OF YASKAWA AMERICA, INC.	TECH: J. BORJA 7-24-14	DATE: 7-24-14	SIZE: A      REVISION: R00      PAGE: 3 of 3
UNITS: IN [mm]	SCALE: BY VIEW		APPROVED: J. CAIRO 9-19-14	DATE: 9-19-14	
		ORIGINAL DESIGN: -	DATE: -	DRAWING #: DD.D1K.FR6.IP00	